

# Product data sheet

## Characteristics

# 9070T150D14

Transformer, Type T, industrial control, 150 VA,  
208 VAC primary / 24 VAC secondary, 1 phase,  
50/60 Hz, 55 °C rise



Product availability: Stock - Normally stocked in distribution facility

Price\*: 230.00 USD



### Main

Product or component type	Industrial Control Transformer
Rated power in VA	150 VA
Range of product	T

### Complementary

Phase	1 phase
Rated power in VA	150 VA
Temperature rise	55 °C
Electrical connection	Screw clamp terminals
Height	3.2 In (81.28 mm)
Width	3.75 In (95.25 mm)
Depth	3.59 In (91.19 mm)
Material	Copper winding
Product compatibility	FSC1

### Environment

Product certifications	UL listed file E61239 CSA file LR37055 guide 184-N-90
NEMA degree of protection	Not rated (open device)
Insulation temperature	221 °F (105 °C)

### Ordering and shipping details

Category	16200 - 9070 T (NOT TF) 50-200VA
Discount Schedule	CP8
GTIN	00785901338581
Nbr. of units in pkg.	1
Package weight(Lbs)	5.39 Lb(US) (2.445 kg)

Returnability	Yes
Country of origin	MX

### Packing Units

Unit Type of Package 1	PCE
Package 1 Height	3.70 In (9.398 cm)
Package 1 width	4.20 In (10.668 cm)
Package 1 Length	4.30 In (10.922 cm)

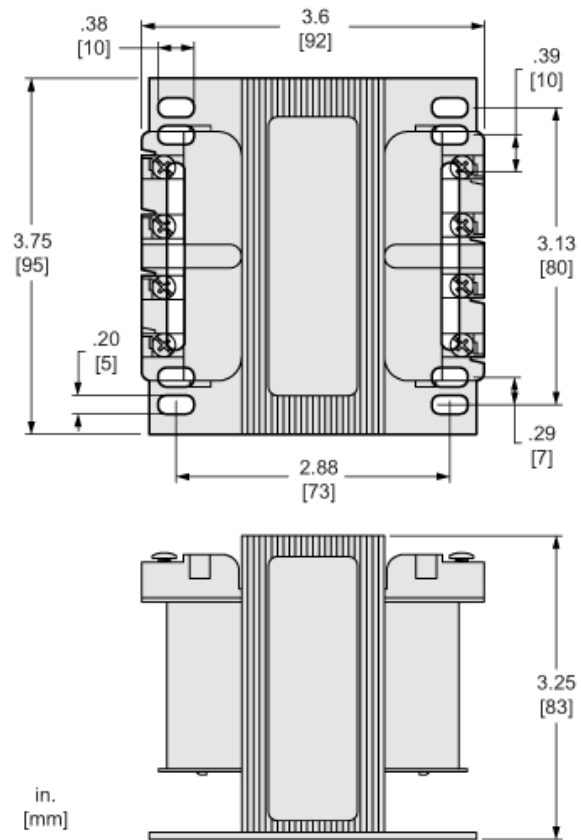
### Offer Sustainability

Sustainable offer status	Green Premium product
California proposition 65	WARNING: This product can expose you to chemicals including: Phenyl glycidyl ether, which is known to the State of California to cause cancer and birth defects or other reproductive harm. For more information go to <a href="http://www.P65Warnings.ca.gov">www.P65Warnings.ca.gov</a>
REACH Regulation	<a href="#">REACH Declaration</a>
EU RoHS Directive	Compliant <a href="#">EU RoHS Declaration</a>
Mercury free	Yes
RoHS exemption information	<a href="#">Yes</a>
China RoHS Regulation	<a href="#">China RoHS Declaration</a>
Environmental Disclosure	<a href="#">Product Environmental Profile</a>
PVC free	Yes

### Contractual warranty

Warranty	10 Years
----------	----------

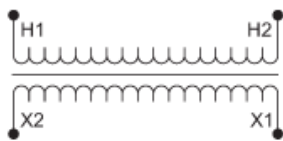
Approximate Dimensions



Connections and Wiring Diagrams

Voltage and Connection Options

Voltage Code	Voltages		Connections	
	Primary	Secondary	Primary	Secondary
D7	120	24	Connect to H1 and H2	Connect to X1 and X2
D14	208	24		
D16	600	24		
D25	277	24		
D88	380	24		
D112	230	24		



Product Life Status : **Commercialised**